



LB-90-25-C2-SF Standard Gain Horn Antenna 8.2-12.4GHz 25dB Gain SMA Female

Standard Gain Horn Antenna Operating From 8.2GHz to 12.4GHz With a Nominal 25dB Gain With SMA Female Connector

Product Information

SKU	LB-90-25-C2-SF
-----	----------------

Description

Standard Gain Horn Antenna LB-90-25-C2-SF, operating from 8.2 to 12.4GHz with a nominal 25dB gain and low VSWR 1.25:1 with SMA Female connector output. The model LB-90-25-C2-SF has uniform gain through its frequency span, providing efficient performance characteristics and directionality. It can handle 50W continuously and 3000W peak power. Constructed of lightweight corrosion-resistant aluminum, the antenna will provide years of trouble-free indoor and outdoor service. This standard gain horn antenna is linearly polarized and ideally suited for EMI testing, direction finding, surveillance, antenna gain and pattern measurements and other applications.

Technical Specification

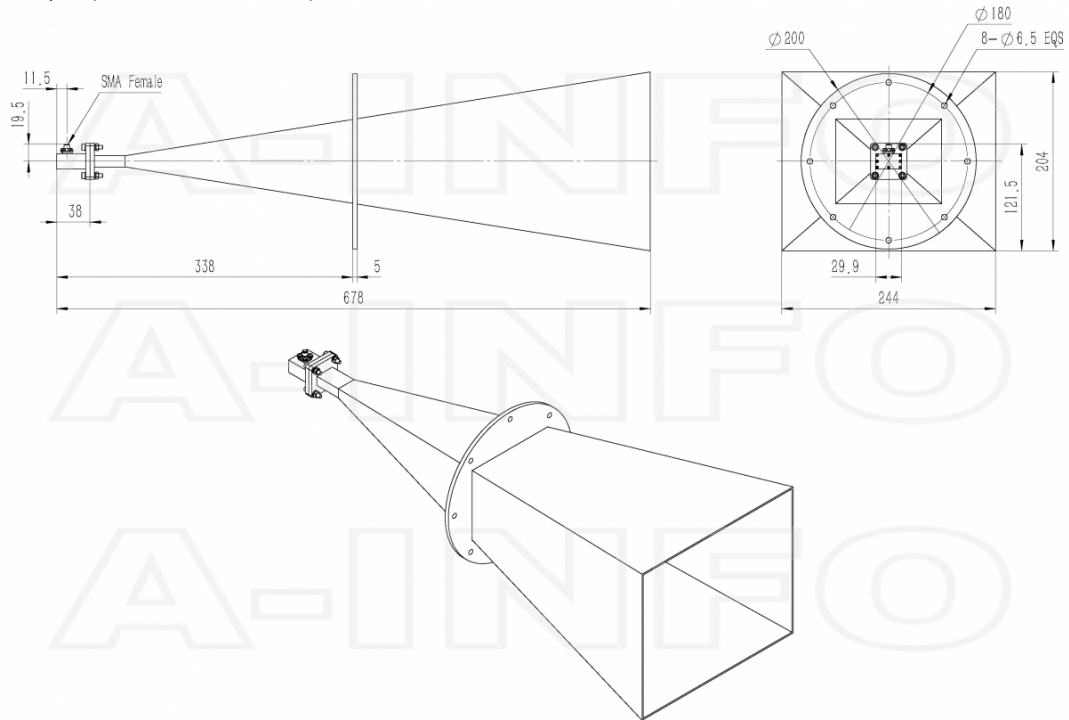
Electrical Specification		Interface	
Frequency, Min (GHz)	8.2	Output Type	Coaxial
Frequency, Max (GHz)	12.4	Connector	SMA
Waveguide Type	Rectangular	Connector Gender	Female
Waveguide Size EIA WR	WR90	Mechanical Specification	
Gain, Typ (dBi)	25	Figure	C Type
Polarization	Linear	Body Material	Al
3dB Beamwidth, E-Plane, Typ (Deg.)	8	Finish	Chemical Conversion Coating, Gray Paint
3dB Beamwidth, H-Plane, Typ (Deg.)	10	Size, W (mm)	244
Cross Pol. Isolation, Typ (dB)	35	Size, H (mm)	204
VSWR, Typ	1.25:1	Size, L (mm)	678
Impedance, (Ohm)	50	Weight, (kg)	1.9
Power Handling, CW, (W)	50		
Power Handling, Peak, (W)	3000		

Additional Information

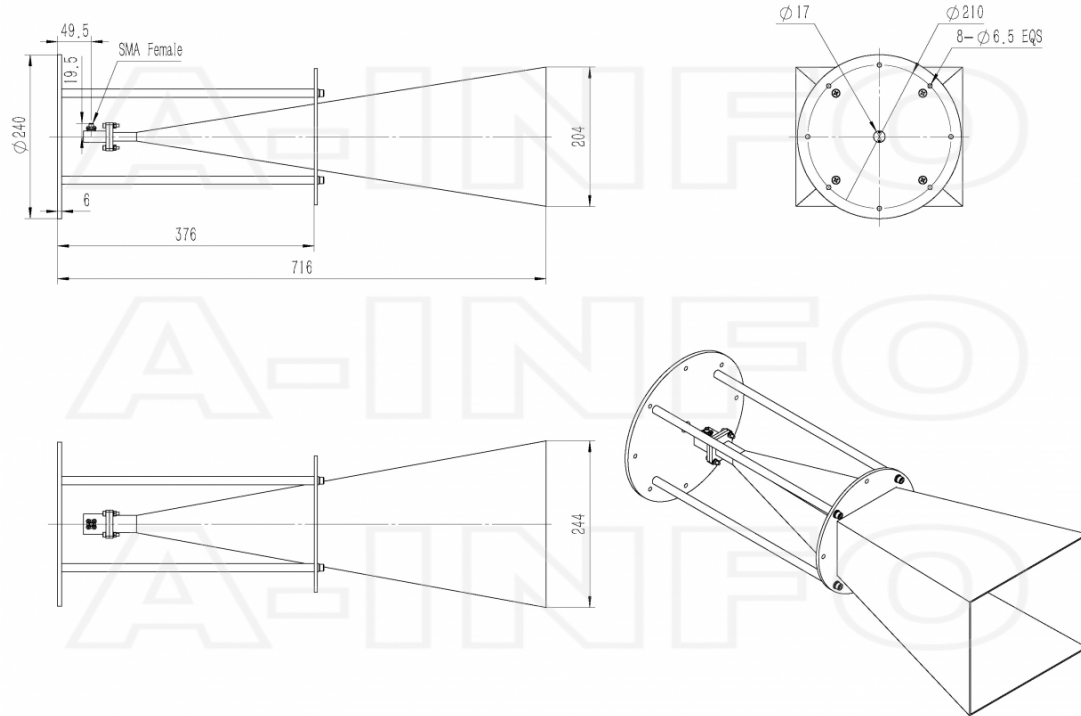
Application	General Purpose Indoor & Outdoor, Fixed	Solution for	Gain Reference Antenna Measurement Reflector Feed Far-field Measurement System Intergration Material Measurement
-------------	---	--------------	---

Outline Drawing

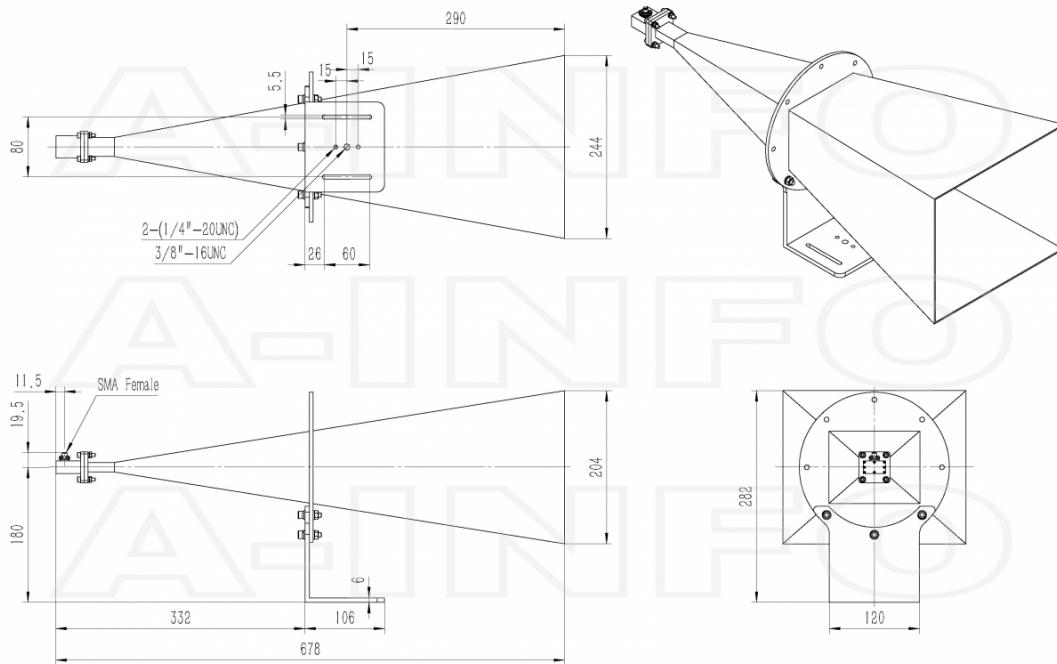
SMA Female Output (P/N: LB-90-25-C2-SF)



SMA Female Output with Round Mounting Bracket (Option, P/N: LB-90-25-MB2)

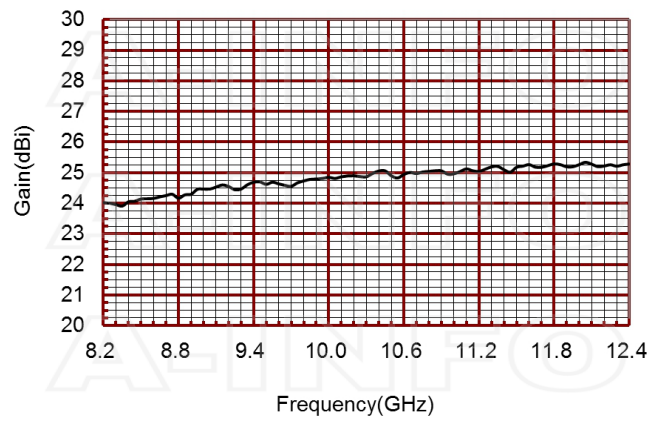


SMA Female Output with L Type Mounting Bracket (Option, P/N: LB-90-25-L2)

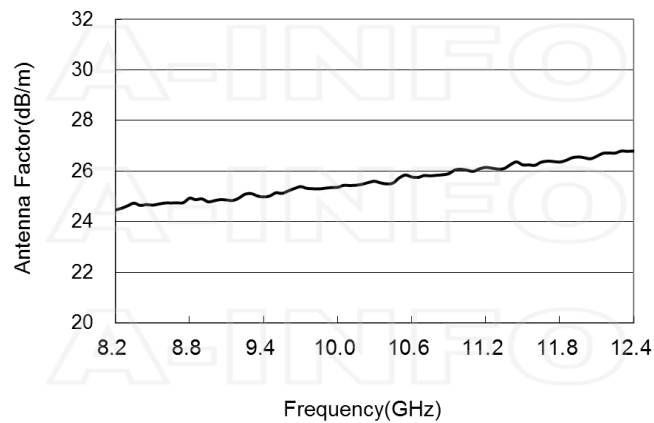


Typical Test Results

Gain



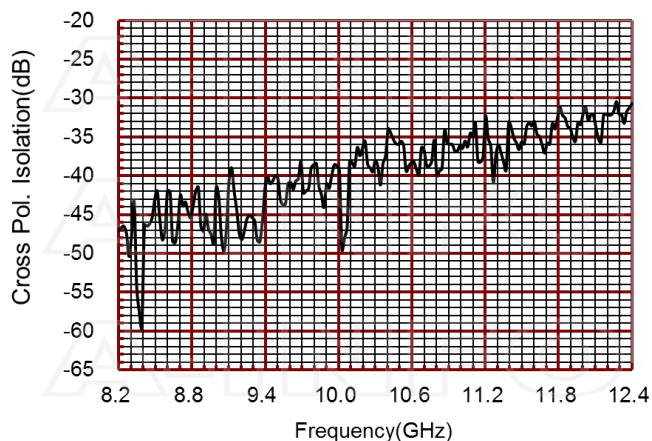
Antenna Factor



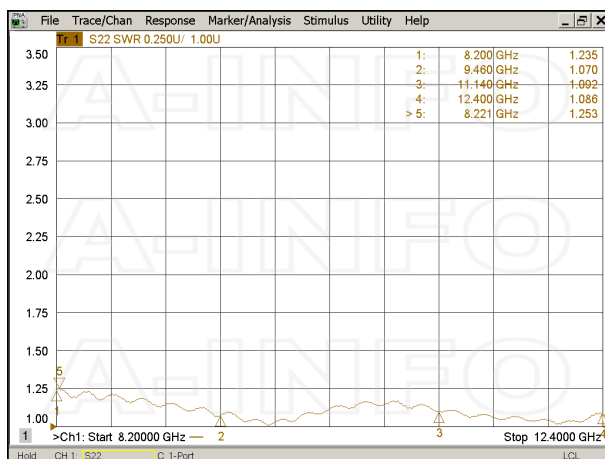
Antenna Factor (Table)

Frequency(GHz)	Gain(dBi)	Antenna Factor(dB/m)
8.20	24.02	24.46
8.50	24.14	24.66
9.00	24.46	24.83
9.50	24.62	25.15
10.00	24.85	25.36
10.50	24.90	25.74
11.00	24.96	26.07
11.50	25.18	26.25
12.00	25.26	26.53
12.40	25.28	26.80

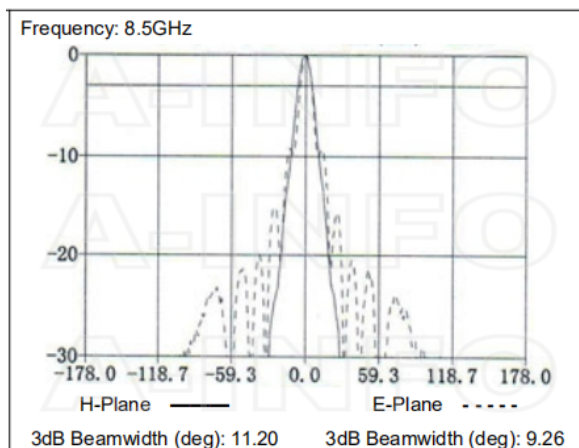
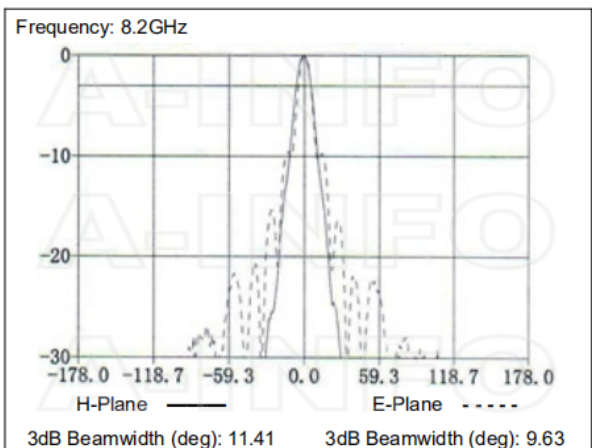
Cross Polarization Isolation

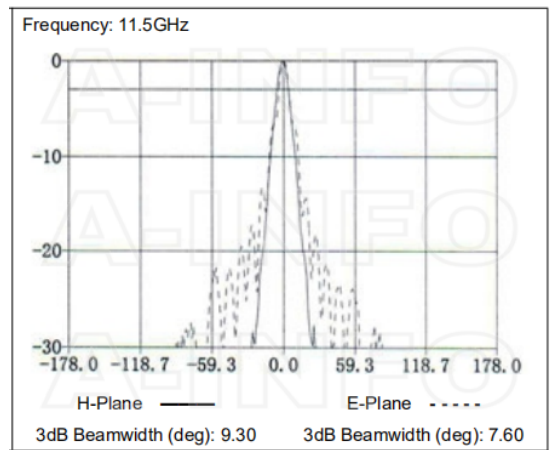
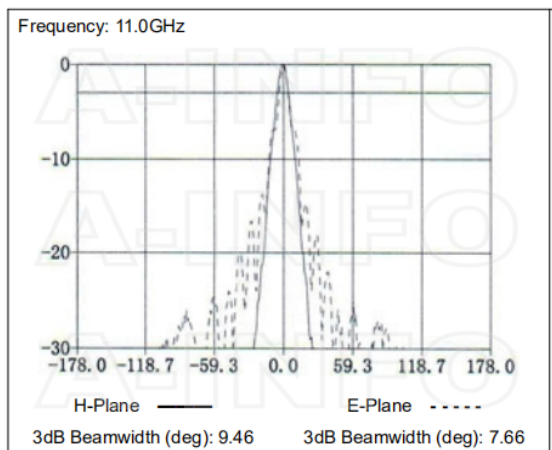
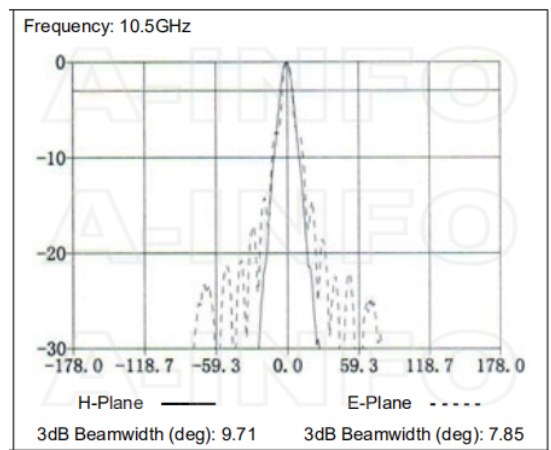
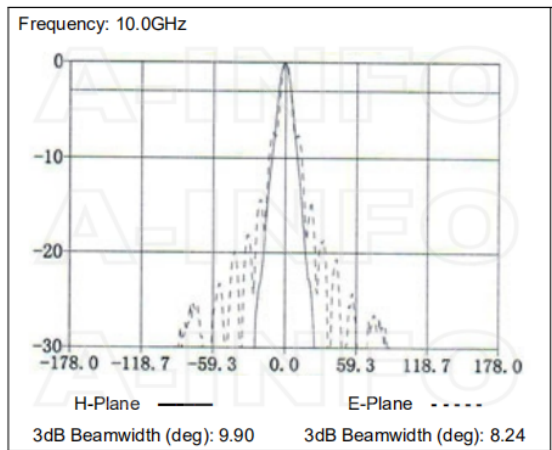
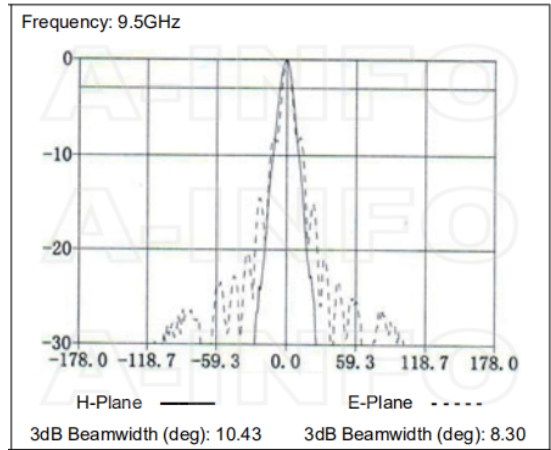
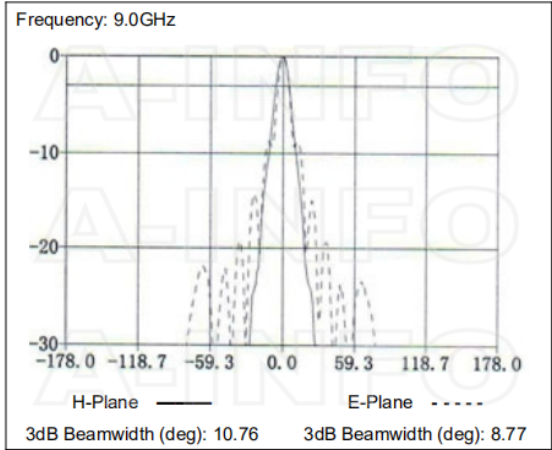


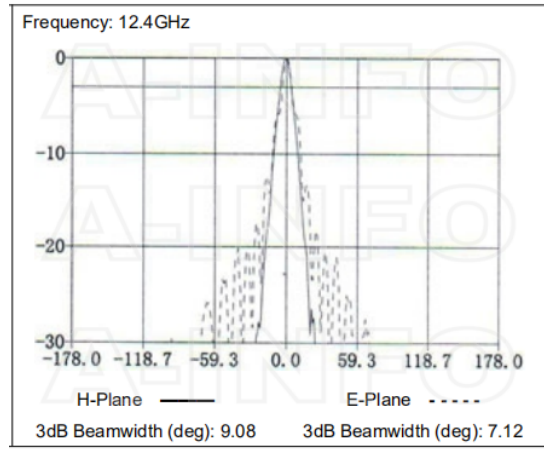
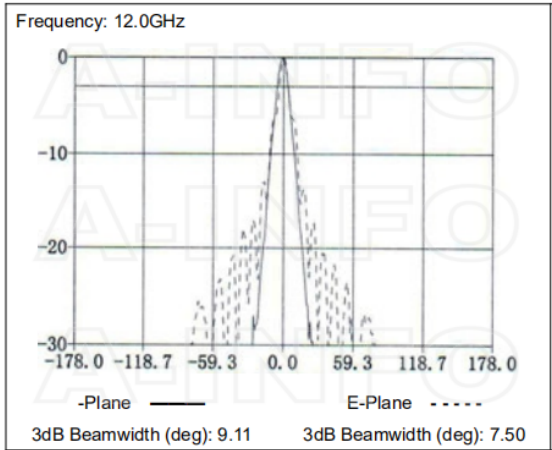
VSWR



Pattern







Related Products



LB-90-25-MB2 Round Type Mounting Bracket



LB-90-25-L2 L Type Mounting Bracket



Tripod_15Kg Al Alloy Tripod



3033HL Wooden Tripod



3033QM Wooden Tripod Metalfree



M4x20 Hex_Pack WR112- WR51 Flange Assembly Pack



M4x30 Hex_Pack Log Periodic, DS Assembly Pack



SM-SM-A050-1000 Flexible Cable Assembly 1000mm DC- 26.5GHz SMA Male to SMA Male



SM-SM-A050-1500 Flexible Cable Assembly 1500mm DC- 26.5GHz SMA Male to SMA Male



SM-SM-A050-2000 Flexible Cable Assembly 2000mm DC- 26.5GHz SMA Male to SMA Male



SM-SM-A050-3000 Flexible Cable Assembly 3000mm DC- 26.5GHz SMA Male to SMA Male



SM-SM-A050-5000 Flexible Cable Assembly 5000mm DC- 26.5GHz SMA Male to SMA Male



SM-SM-A050-10000 Flexible Cable Assembly 10000mm DC-26.5GHz SMA Male to SMA Male



SM-SM-A080-1000 Flexible Cable Assembly 1000mm DC- 26.5GHz SMA Male to SMA Male



SM-SM-A080-1500 Flexible Cable Assembly 1500mm DC- 26.5GHz SMA Male to SMA Male



SM-SM-A080-2000 Flexible Cable Assembly 2000mm DC- 26.5GHz SMA Male to SMA Male



SM-SM-A080-3000 Flexible Cable Assembly 3000mm DC- 26.5GHz SMA Male to SMA Male



SM-SM-A080-5000 Flexible Cable Assembly 5000mm DC- 26.5GHz SMA Male to SMA Male



SM-SM-A080-10000 Flexible Cable Assembly 10000mm DC-26.5GHz SMA Male to SMA Male



SM-SM-A080-20000 Flexible Cable Assembly 20000mm DC-26.5GHz SMA Male to SMA Male

Similar Products



LB-90-25-A2 Standard Gain Horn Antenna 8.2-12.4GHz 25dB Gain Rectangular Waveguide Interface



LB-90-25-A2SPO Standard Gain Horn Antenna 8.2-12.4GHz 25dB Gain Rectangular Waveguide Interface



LB-90-25-C2-SFSP0 Standard Gain Horn Antenna 8.2-12.4GHz 25dB Gain SMA Female



LB-90-25-C2-NF Standard Gain Horn Antenna 8.2-12.4GHz 25dB Gain N Type Female



LB-90-25-C2-NFSP0 Standard Gain Horn Antenna 8.2-12.4GHz 25dB Gain N Type Female



LB-90-25-C2-TF Standard Gain Horn Antenna 8.2-12.4GHz 25dB Gain TNC Female



LB-90-25-C2-TFSP0 Standard Gain Horn Antenna 8.2-12.4GHz 25dB Gain TNC Female



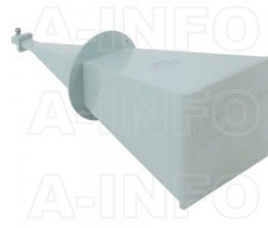
LB-90-25-C2-7 Standard Gain Horn Antenna 8.2-12.4GHz 25dB Gain 7mm



LB-90-25-C2-7SPO Standard Gain
Horn Antenna 8.2-12.4GHz 25dB
Gain 7mm



LB-90-25-C2-3.5F Standard Gain
Horn Antenna 8.2-12.4GHz 25dB
Gain 3.5mm Female



LB-90-25-C2-3.5FSPO Standard
Gain Horn Antenna 8.2-12.4GHz
25dB Gain 3.5mm Female

About this Datasheet

<ul style="list-style-type: none"> ● Product Information Product Link: https://www.ainfoinc.com/lb-90-25-c2-sf-standard-gain-horn-antenna-8-2-12-4-ghz-25db-gain-sma-female Data subject to change without notice. © A-INFO INC. 2023. All Rights Reserved 	<ul style="list-style-type: none"> ● Contact Us Address:dd 60 Tesla, Irvine, CA 92618, USA Website: www.ainfoinc.com Email: sales@ainfoinc.com 	<ul style="list-style-type: none"> ● Phone & Fax Phone: +1-949-639-9688 +1-949-639-9608 Fax: +1-949-639-9670
---	--	---